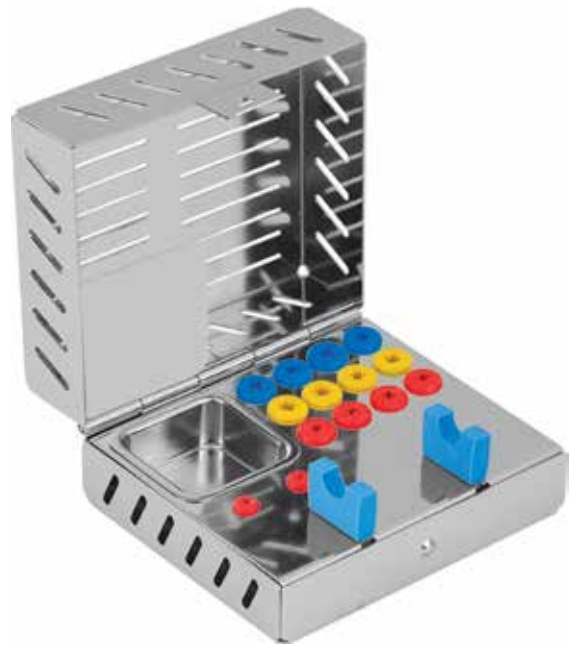




■ ■ **024 IMPLANTOLOGY CASSETTES**



<u>New Item Code</u>	<u>Size in mm</u>	<u>Old Item Code</u>
CIL- 024 001 001	180 x 148 x 50	CIL- 024 300 050



<u>New Item Code</u>	<u>Size in mm</u>	<u>Old Item Code</u>
CIL- 024 002 001	100 x 90 x 50	CIL- 024 306 050



<u>New Item Code</u>	<u>Size in mm</u>	<u>Old Item Code</u>
CIL- 024 003 001	100 x 90 x 50	CIL- 024 311 050


- *Implantology cassettes are strongly recommended for the process of sterilization of implant accessories.*
- *Different silicon plugs and holders are helpful in holding different burs and drills of 2 to 6.5 mm.*
- *Special silicon arrangement to hold ratchet.*
- *A separate removable compartments for various micro parts.*
- *Lids are also available without perforation.*




■ ■ **024 IMPLANTOLOGY CASSETTES**



<u>New Item Code</u>	<u>Size in mm</u>	<u>Old Item Code</u>
CIL- 024 004 001	150 x 85 x 50	CIL- 024 316 050



<u>New Item Code</u>	<u>Size in mm</u>	<u>Old Item Code</u>
CIL- 024 005 001	150 x 85 x 50	CIL- 024 321 050



<u>New Item Code</u>	<u>Size in mm</u>	<u>Old Item Code</u>
CIL- 024 006 001	80 x 55 x 40	CIL- 024 322 040



<u>New Item Code</u>	<u>Size in mm</u>	<u>Old Item Code</u>
CIL- 024 007 001	80 x 55 x 40	CIL- 024 323 040



<u>New Item Code</u>	<u>Size in mm</u>	<u>Old Item Code</u>
CIL- 024 008 001	80 x 55 x 40	CIL- 024 324 040