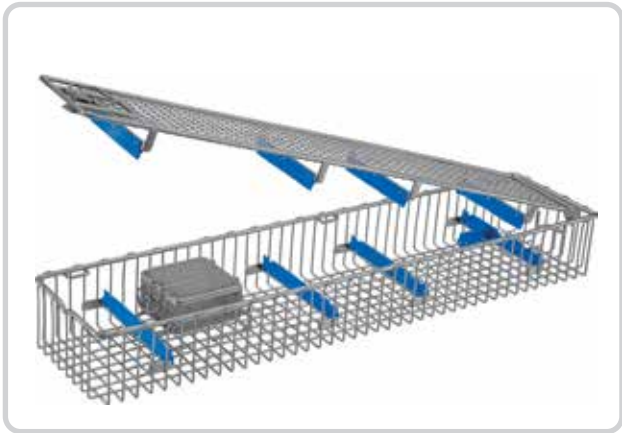


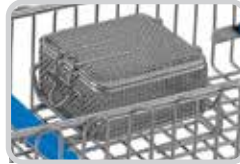


■ ■ **011 ENDOSCOPE BASKETS**



<u>New Item Code</u>	<u>Size in mm</u>	<u>Old Item Code</u>
CIL-011 001 001	640 x 150 x 77	CIL-011 001 077

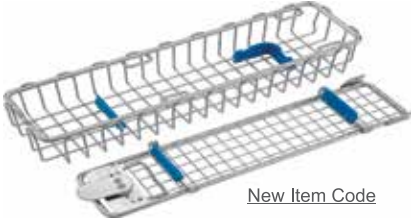
**Small Lens Basket**



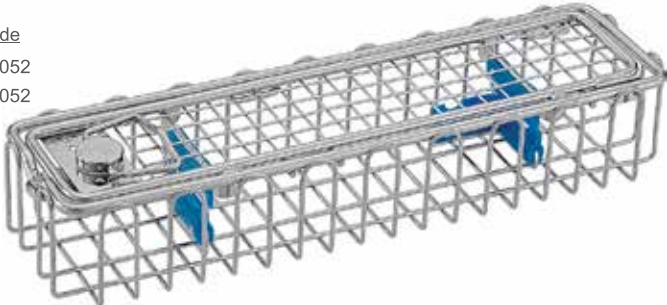
**Locking Clip**




**ARTHOSCOPE BASKET**




<u>New Item Code</u>	<u>Size in mm</u>	<u>Old Item Code</u>
CIL-011 002 001	290 x 80 x 52	CIL-011 001 052
CIL-011 003 001	180 x 80 x 52	CIL-011 019 052







<u>New Item Code</u>	<u>Size in mm</u>	<u>Old Item Code</u>
CIL-011 002 002	290 x 80 x 52	CIL-011 002 052

**ENDOSCOPE BASKET**





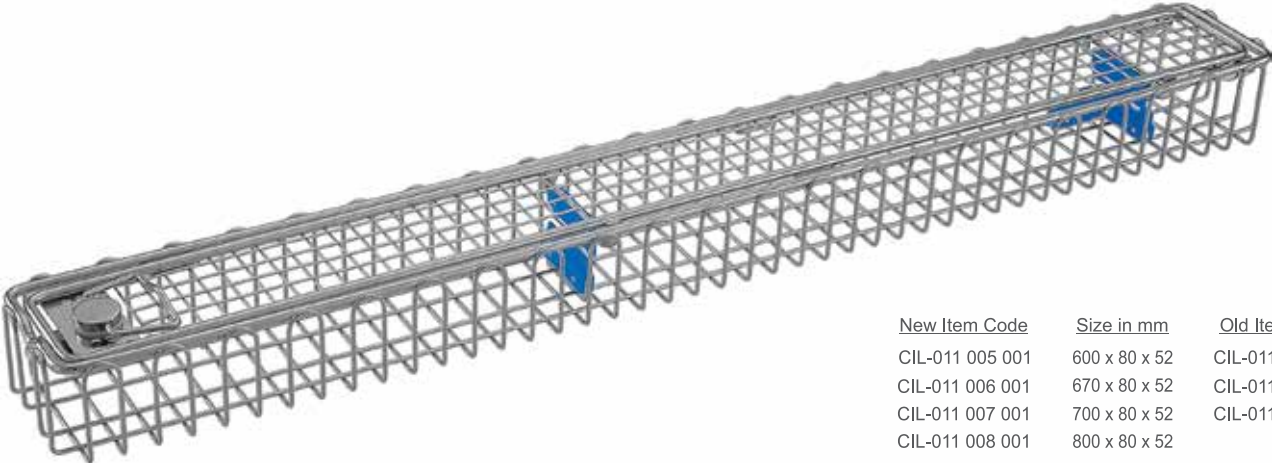
<u>New Item Code</u>	<u>Size in mm</u>	<u>Old Item Code</u>
CIL-011 004 001	460 x 80 x 52	CIL-011 003 052



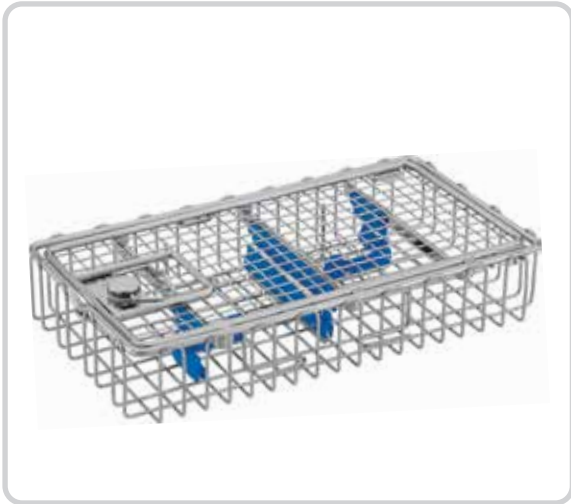
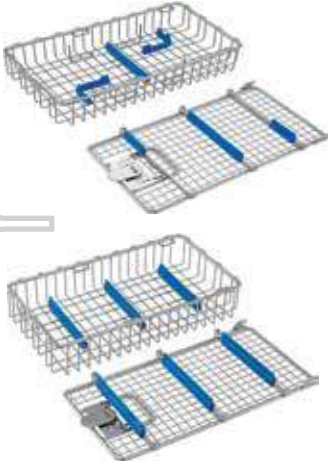
<u>New Item Code</u>	<u>Size in mm</u>	<u>Old Item Code</u>
CIL-011 004 002	460 x 80 x 52	CIL-011 004 052



■ ■ **011** ENDOSCOPE BASKETS



<u>New Item Code</u>	<u>Size in mm</u>	<u>Old Item Code</u>
CIL-011 005 001	600 x 80 x 52	CIL-011 017 052
CIL-011 006 001	670 x 80 x 52	CIL-011 005 052
CIL-011 007 001	700 x 80 x 52	CIL-011 018 052
CIL-011 008 001	800 x 80 x 52	





<u>New Item Code</u>	<u>Size in mm</u>	<u>Old Item Code</u>
CIL-011 009 001	290 x 160 x 52	CIL-011 006 052


  

<u>New Item Code</u>	<u>Size in mm</u>	<u>Old Item Code</u>
CIL-011 009 002	290 x 160 x 52	CIL-011 007 052


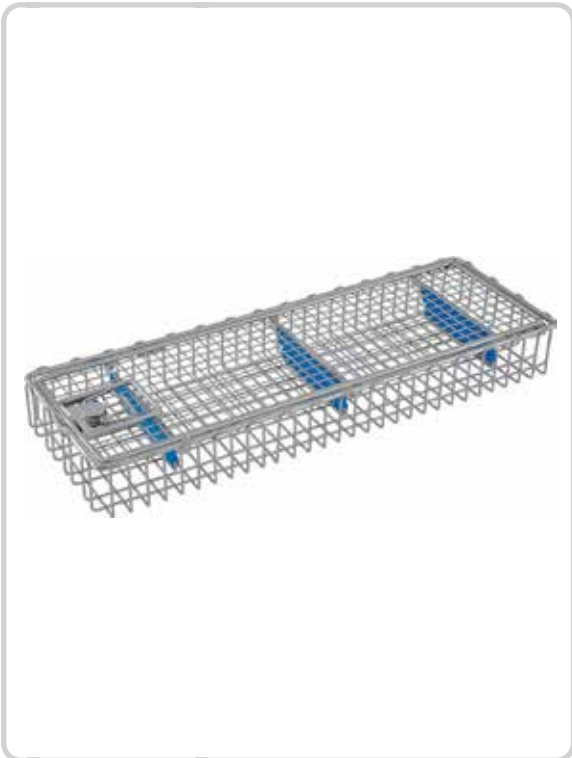
<u>New Item Code</u>	<u>Size in mm</u>	<u>Old Item Code</u>
CIL-011 010 001	460 x 160 x 52	CIL-011 008 052

<u>New Item Code</u>	<u>Size in mm</u>	<u>Old Item Code</u>
CIL-011 010 002	460 x 160 x 52	CIL-011 009 052

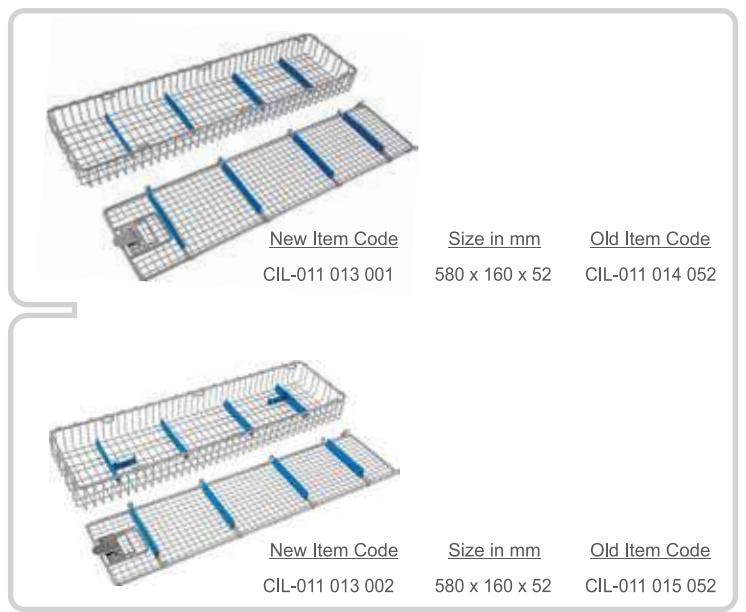
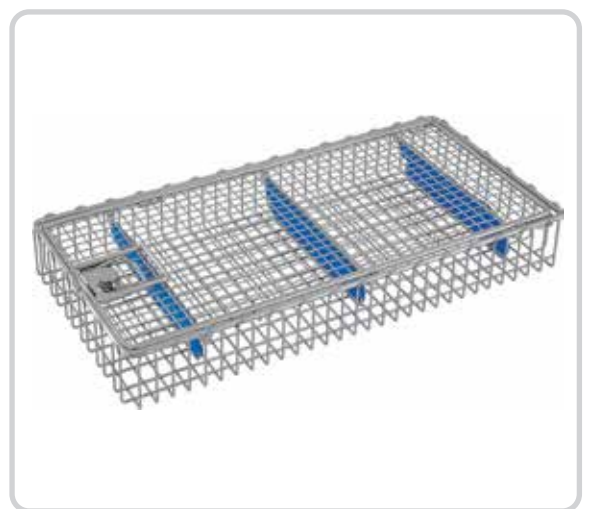
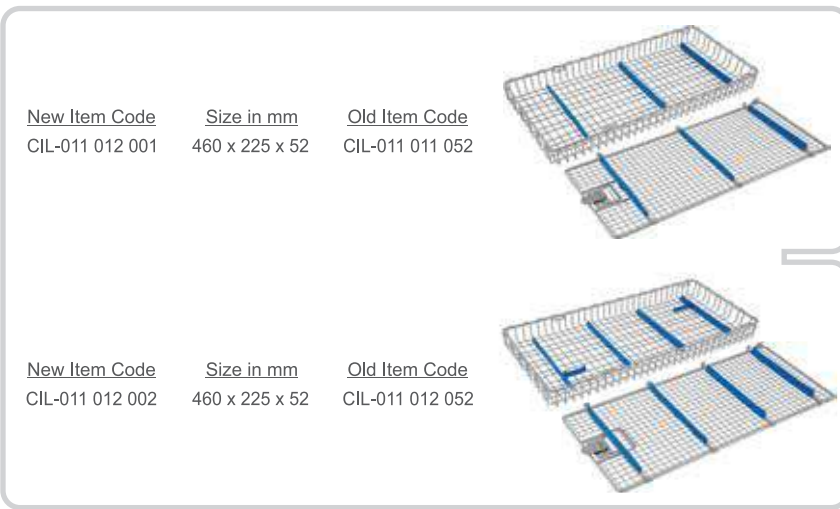
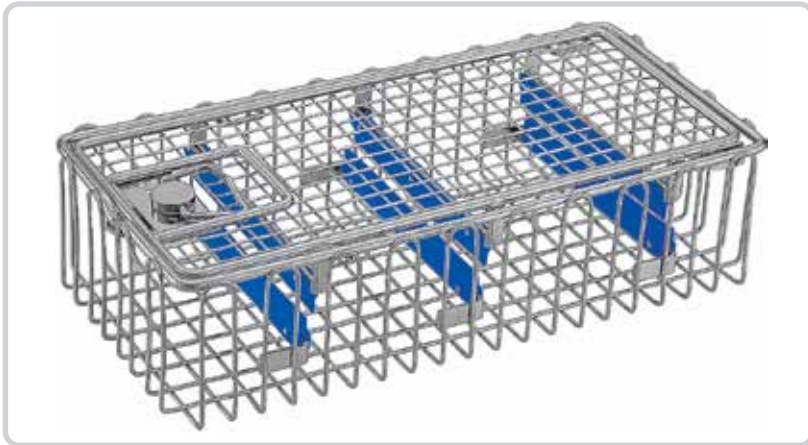

  

<u>New Item Code</u>	<u>Size in mm</u>	<u>Old Item Code</u>
CIL-011 010 003	460 x 160 x 52	CIL-011 010 052



## 011 ENDOSCOPE BASKETS



Endoscope baskets provide the safety to costly endoscopes during sterilization processes. The silicon padding also provides protection to medical & laboratory endoscopes.

- Top and lid frame wire diameter 5.0 mm
- Loops wire diameter 2.0 mm
- Autoclaveable silicon inserts
- Electrolyte polish and burr free finish