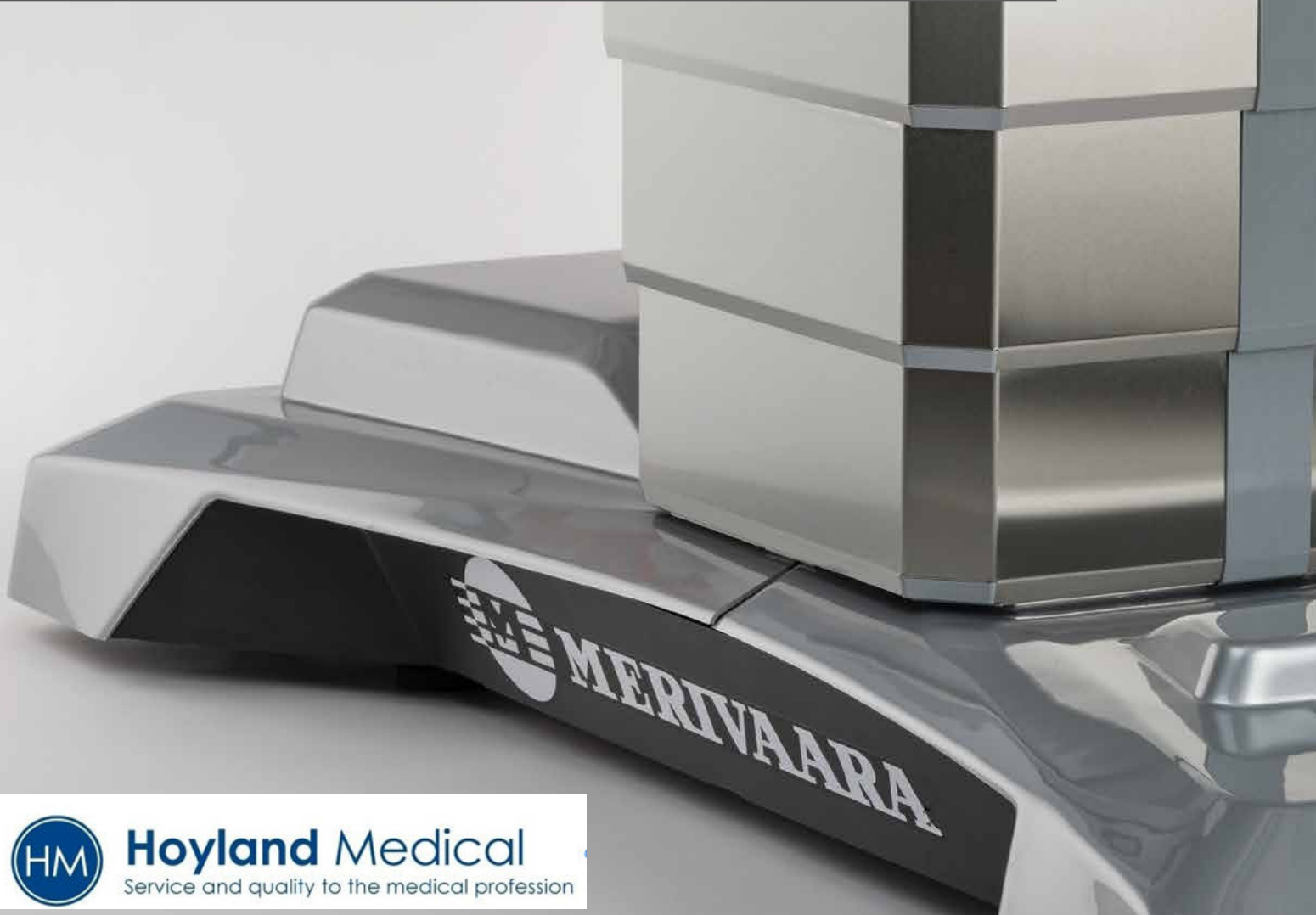




Operating Tables



Hoyland Medical
Service and quality to the medical profession

Fluent usability

Since 1901

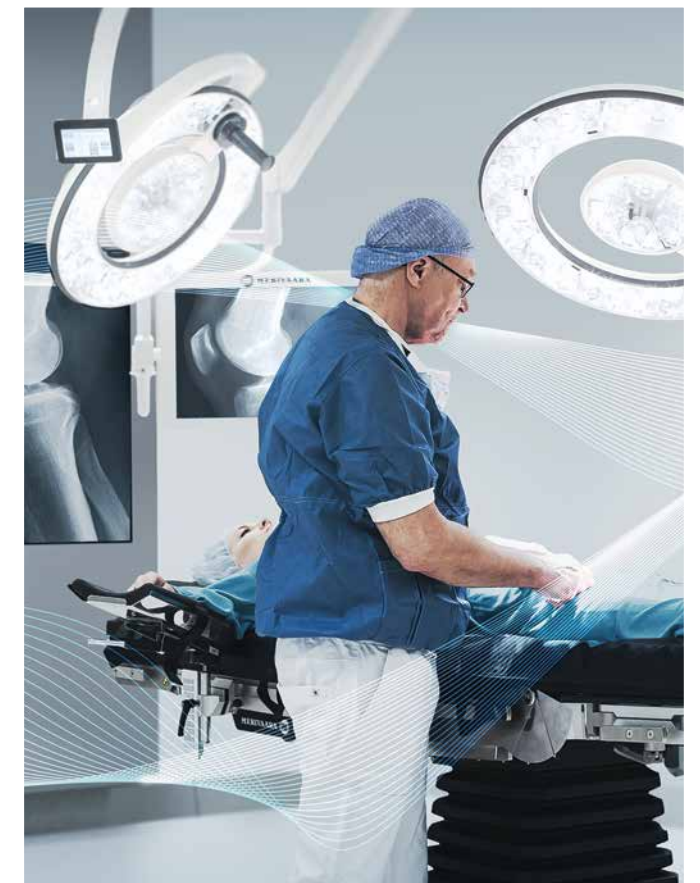
“In addition to the exquisite quality of work, we have taken the utmost interest in the functionality of the equipment. In this regard, several doctors committed to the cause have contributed their advice, based on their valuable experience.”

Juho Merivaara in 1926, founder of Merivaara



In a modern operating room from the 1950s tables and lights were manually adjusted.

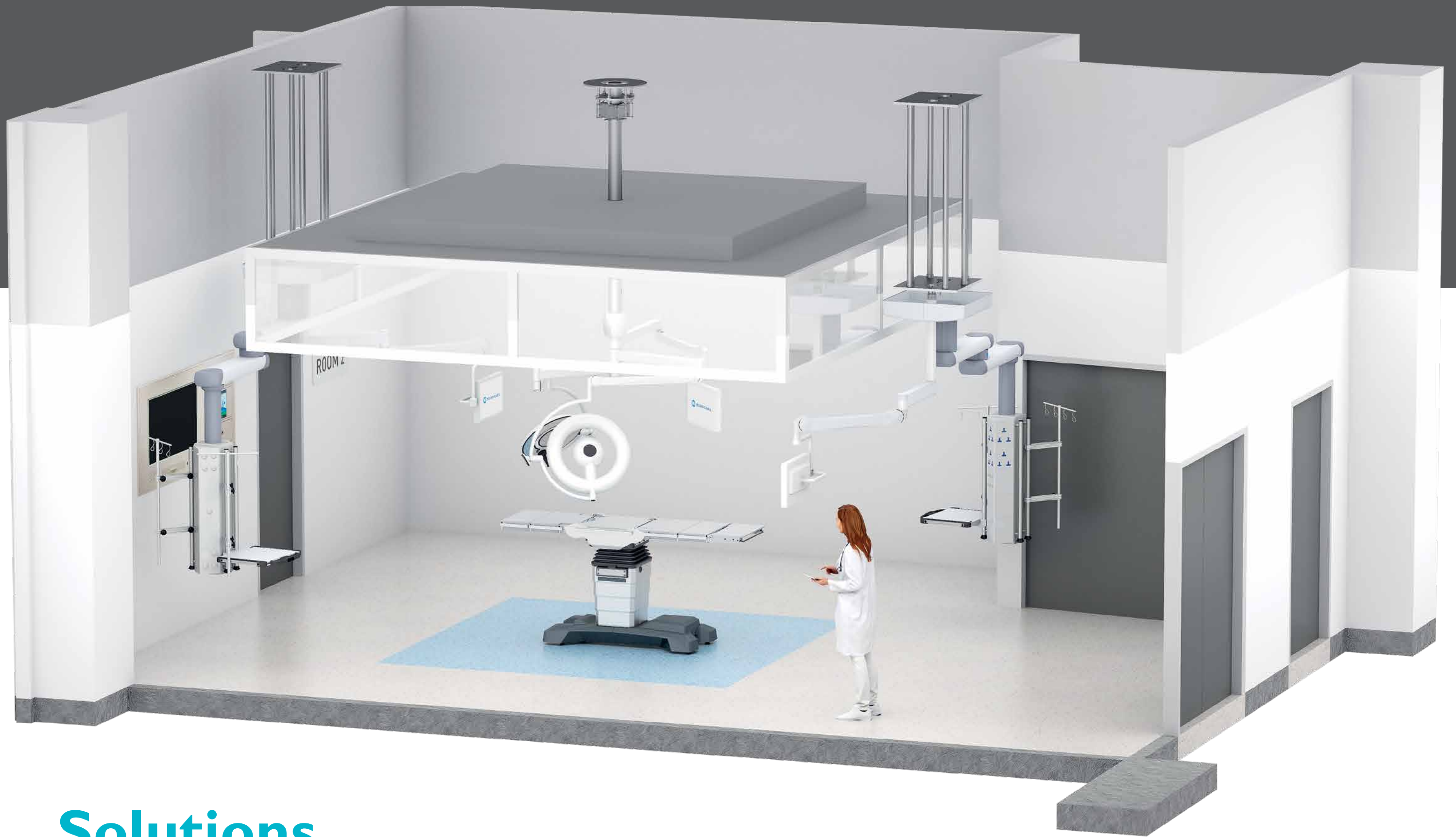
**DESIGN[®]
FROM
FINLAND**



We are proud that the company's values 120 years ago were so ahead of their time that they can still today be fully applied when designing new innovative solutions for healthcare professionals. This is demonstrated by our latest award-winning products, the Q-Flow surgical light and the Smarter Practico operating table with functionality and ease of use at the heart of the design. Our user interfaces are developed together with hospital personnel so that all our products and systems can be used intuitively.

We call this Fluent Usability; operating room teams can focus on patient care, not for the management of complex technologies. Top surgeons appreciate this all over the world.





Solutions

Merivaara Solutions offer operating rooms a wide range of high-quality products, systems and services. Our solutions not only guarantee patient safety, but also provide healthcare operators with the best value for money.

When designing our solutions around the entire surgical team, it is important for us to listen to the customer's needs. This allows us to ensure that the team can implement the procedures safely, quickly and reliably. At the same time, workflow is optimized and the productivity of the entire team will increase.

Merivaara has long experience from leading and implementing projects in operating rooms. For us, keeping projects to schedule and reducing costs is extremely important.

- SURGICAL LIGHTS • EXAMINATION LIGHTS
- OPERATING TABLES • TABLE ACCESSORIES
- INTEGRATION SYSTEMS • MONITORS & MONITOR ARMS
- PENDANTS • PROJECTS • MERIVAARA SERVICES

Smarter Practico

Operate high & low

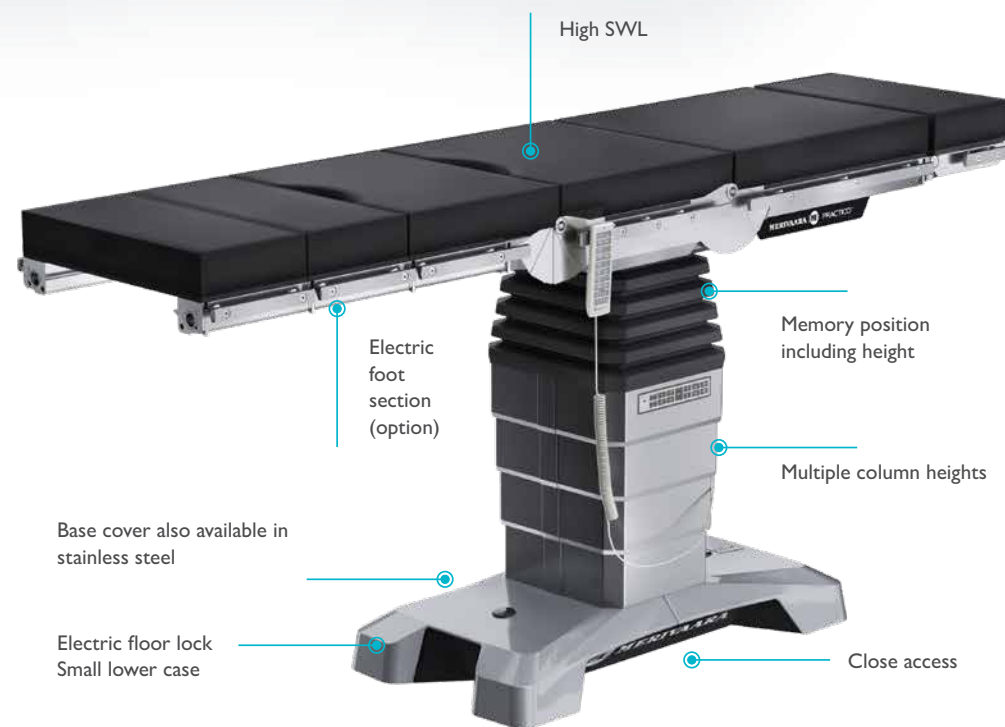


FENNIAPRIZE 20
HONOURABLE MENTION

Designed to improve ergonomics with the industry's widest range of posture possibilities. Powered by smart controls that help you work more fluently.

Highlights

Improved features let you focus on the task at hand while superior ergonomic design improves the comfort of the whole surgical team. Comfort leads to concentration, confidence and better co-operation. That's efficiency.



Benefits of the Smarter Practico



1. ENHANCED ERGONOMICS

- Multiple Column Height Choices: General, Low, High
- Surgical Application Adaptability – easily adaptable to multiple surgical applications
- Ergonomically focused for both the surgical team and the patient



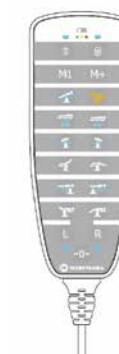
2. SAFE & STRONG

- Up to 280 kg in all directions including slide
- Suitable for bariatric surgery with a vast range of accessories
- Lifting capacity 460 kg



3. FLUENT ACCESSABILITY

- The low height of the base allows 360 degree C-arm access
- The curved base design allows for the surgeon to gain closer access to the patient.
- 390 mm longitudinal slide allows for more C-arm accessibility making X-Ray and Fluoroscopic imaging possible



4. SMART HAND CONTROL

- Easy-to-use interface
- Fluent design and comfortable to hold
- Quick memory functions
- Endoscopic mode ensures safe and easy use in a low light environment
- Convenient battery health indicator



5. SMART MOVEMENTS

- The smart control system of the table recognizes potential mechanical collision situations.
- Multiple anti-collision adjustments, e.g. during deep Trendelenburg.
- Control system automatically performs correct compensative movements to allow for safe and smooth adjustments.

ELECTIVE ORTHOPEDIC SURGERIES

Smarter Practico for elective orthopedics is the flexible solution for any operating room performing elective orthopedic surgical procedures. Thanks to its extensive height adjustment range, Smarter Practico is the ergonomic solution for the OR.



HIP SURGERY

The adaptable heights improve ergonomics for short and tall personnel whether standing or sitting.



LOWER EXTREMITIES

Together with orthopedic extension solutions, Smarter Practico fulfills the demands of today's OR.



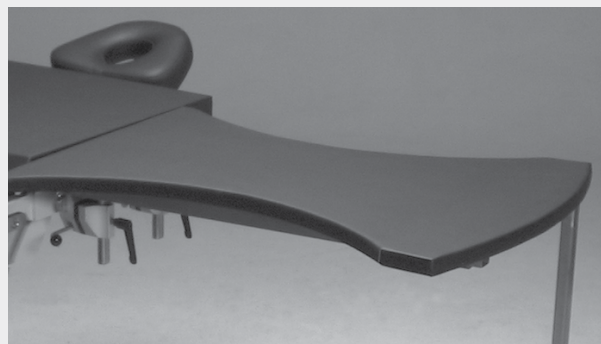
KNEE SURGERY

The Max Hi Smarter Practico is ergonomically designed for tall personnel. The fluent base is designed to allow for non-obstructive and closer access to the surgical field.

APPLICATION EXAMPLES:

- Hip surgery
- Knee surgery
- Foot and ankle surgery
- Hand surgery
- Femur / tibia surgery
- Elbow / humerus surgery

SPECIAL ACCESSORIES



HAND OPERATING TABLE 10390



HUMERUS TRACTION KIT 110438

ORTHOPEDIC SHOULDER SURGERIES

The Smarter Practico for orthopedics is the flexible solution for any operating room performing shoulder orthopedic procedures. The beach chair section allows for easy access to the surgical field. Smarter Practico offers an extensive height adjustment range creating the perfect ergonomic solution in the OR.



FULL ACCESS TO THE SHOULDER AREA

Large cutout of the beach chair provides excellent surgical access.



EXCEPTIONAL PATIENT POSITIONING

Fluent movement is ensured because of the Smarter Practico's smart control system.

“ The back section cutout allows for a greater access to the shoulder area and for improved patient arm movements.

Dr. Kari Salovaara, Orthopaedic Surgeon
at Päijät-Häme Central Hospital in Finland



SECURED POSITIONING

The beach chair support belt ensures the safe positioning of the patient without obstructing the surgical area.



USER FRIENDLY

Smart and smooth locking mechanism enables the quick release of the removable back section cutout.

SPECIAL ACCESSORIES



BEACH CHAIR HELMET HEAD REST 30128



MULTI-TASK ARMBORD 11802

OPHTHALMIC SURGERY

Smarter Practico for ophthalmics – ergonomics on its best. Thanks to extensive height adjustment range, Smarter Practico is suitable for all personnel of all heights offering excellent ergonomomy.

“Memory positions provide efficiency to repetitive operations. Mattresses felt good and supportive – more comfort for the patients.”

Oulu University Hospital Department of Ophthalmicology



LOWEST ON THE MARKET

Smarter Practico's ultimate low height of 540 mm makes it the perfect choice in the OR. Merivaara offers a vast range of ophthalmic head sections ensuring close proximity to the operating area. The streamlined base ensures the optimal foot space for the surgeon.

APPLICATION EXAMPLES:

- Cataract surgery
- Glaucoma surgery
- Refractive surgery
- Corneal surgery
- Vitreo-retinal surgery
- Extraocular muscle surgery
- Oculoplastic surgery

More support for the patient



More space for the surgeon to work



EAR, NOSE AND THROAT SURGERY

Smarter Practico's Max Low can also be utilized for ENT surgical procedures.



SPECIAL EYE-ENT BACK SECTION AND HEAD REST

- Allows for closer proximity to the patient
- Ergonomic for both the patient and end user
- Ensures stability
- ENT head rests offer excellent articulation

APPLICATION EXAMPLES:

- Tonsilectomy
- Ear surgery
- ENT oncology
- Functional endoscopic sinus
- Septoplasty
- Rhinoplasty

SPECIAL ACCESSORIES

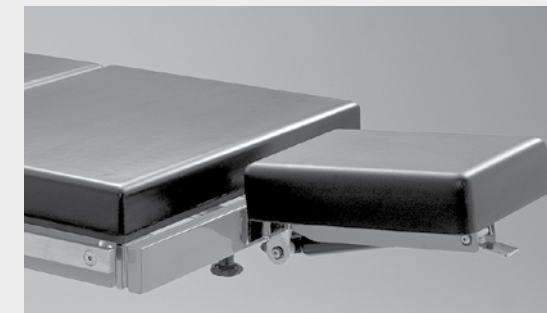


ARM REST 125



ENT-SURGERY HEAD REST 18143

SPECIAL ACCESSORIES



NARROW HEAD REST 142



ENT-OPHTHALMOLOGY HEAD REST 18150

PLASTIC SURGERY

Smarter Practico for plastics is the flexible solution for any operating room performing plastic surgery. Thanks to the extensive height adjustment range, Smarter Practico is suitable for personnel of all heights.

MAX LOW

The table is easily reachable for the patients and gives excellent ergonomics for the surgeons while seated

FLUENT ACCESSIBILITY

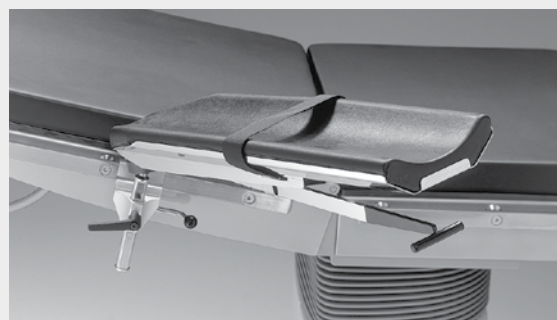
New design gives more room for surgeon's legs



APPLICATION EXAMPLES:

- Breast Enhancement: Augmentation, Lift, Reduction, Reconstruction
- Facial Rejuvenation: Facelift, Eyelid Lift, Neck Lift, Brow Lift
- Facial Contouring: Rhinoplasty, Chin, or Cheek Enhancement
- Body Contouring: Tummy Tuck, Liposuction, Gynecomastia Treatment
- Scar Revision Surgery

SPECIAL ACCESSORIES



ARM REST 19180



HEAD REST 60142

GYNECOLOGY AND UROLOGY

Smarter Practico is the flexible solution for any operating room performing gynecological and urological procedures. Thanks to the extensive height adjustment range, Smarter Practico is suitable for personnel of all heights.

GYNECOLOGICAL SURGERY



EXCELLENT ACCESS AND QUICK RE-POSITIONING

Due to the extensive height adjustment, Smarter Practico is the ergonomic solution for all gynecological applications. The quick memory function makes the re-positioning easy.

UNOBSTRUCTIVE IMAGING

The extensive slide function allows for easier access for imaging equipment.

APPLICATION EXAMPLES:

- Endometriosis surgery
- Treatment of uterine muscle tumors (myoma treatment)
- Prostate laser surgery
- Surgery for depression of uterus and vaginal walls
- Hysterectomy
- Scrotum surgery
- Uterine scraping
- Hydroponic removal
- Seed Removal (Sperm)
- Bladder Vision (Cystoscopy)

UROLOGICAL SURGERY



UNCOMPROMISED ACCESS FOR THE SURGEON

Thanks to the slide function the table top can be slid toward the surgeon allowing for more ergonomic access to the operating field.

“Surgeon's access is excellent. Longitudinal slide is a very good option in gynecological and urological procedures.”

Erkki Riihinen, Operating Room Technician

SPECIAL ACCESSORIES



K-TEK STIRRUPS

Provides unparalleled pelvic site access, larger boot sizing and better infection control. Available for pediatric, adult and bariatric.



BOWL 6 L W/O DRAINAGE 201571

SPINAL SURGERIES

Smarter Practico is the perfect solution for the spinal applications with its extensive height adjustment range.



SPINAL FLOATING SYSTEM

Cost-effective table top platform that fits all standard operating tables. The frame is fully radiolucent and the body supports allow the abdomen to hang freely to reduce venal pressure.

MAX HI AND MAX LO

Improved ergonomics for personnel of all heights.

FLUENT C-ARM ACCESS

Allowing intraoperative imaging due to its redesigned frame structure.



“Table design makes C-arm imaging easy.”

Sami Elamo, MD, M.Sc. (tech),
Consultant in Orthopaedic
and Trauma Surgery

COMPATIBILITY WITH C-ARM

The Smarter Practico and its accessories allow for easy C-arm access.

APPLICATION EXAMPLES:

- Laminectomy
- Discectomy
- Spinal Fusion
- Vertebroplasty/Kyphoplasty

OBSTETRICAL SURGERY

Smarter Practico is the flexible solution for the obstetrical OR. Its anticollision feature allows for the table to Trendelenburg without risk of collision with the floor. The low height removes the need for a step making the patient transfer smoother and safer.

“The operating table is so low that pregnant mothers can easily sit on it.”



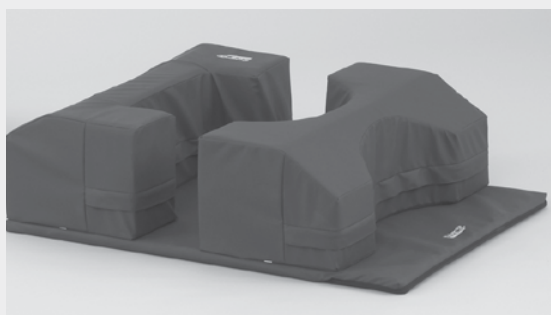
MAX HI AND MAX LO

Improved ergonomics for personnel of all heights.

APPLICATION EXAMPLES:

- Caesarian surgery
- Episiotomy
- Colporrhaphy
- Colpotomy

OTHER SPINAL SOLUTIONS



PRONE POSITION MATTRESS SET 60750

SPINE FRAME 12805



SPECIAL ACCESSORIES

K-TEK STIRRUPS

Provides unparalleled pelvic site access, larger boot sizing and better infection control. Available for pediatric, adult and bariatric.



ARM-LEG SHIELD 60485

THORAX AND KIDNEY SURGERIES

Smarter Practico is the perfect solution for thoracic surgical procedures. Nephrectomy procedures are easily achieved thanks to the deep motorized jackknife position or with the kidney bridge model.



BUILT-IN KIDNEY BRIDGE BACK SECTION

Gives comfort and ergonomics for the patient and the surgeon.



LATERAL JACKKNIFE

Can easily be achieved thanks to the smooth motorized back section.

APPLICATION EXAMPLES:

- Lung cancer surgery
- Lung volume reduction surgery
- Oesophageal surgery
- Partial nephrectomy or nephron-sparing surgery
- Percutaneous nephrolithotomy/nephrolithotripsy (tunnel surgery)

“Quick setup for easy access to kidney area.”

Päijät-Häme Central hospital, Finland.

MINIMALLY INVASIVE SURGERY

Smarter Practico for minimally invasive surgery (MIS) is the flexible solution for the operating room.



EASY ACCESS



BARIATRIC



MAX HI AND MAX LO

“The operating table is excellent for good and ergonomic working positions. Different surgical operations can be done with Smarter Practico.”

Dr. Jyrki Kössi, Chief Gastroenterologist at Päijät-Häme Central Hospital in Finland



COMPATIBILITY WITH MOBILE C-ARMS

Intraoperative imaging is easy and flexible with Smarter Practico due to the fluent design.

APPLICATION EXAMPLES:

- Laparoscopy
- Bariatric surgery
- Tonsillectomy
- Appendectomy
- Cancer surgery
- Laparotomy
- Plastic surgery

SPECIAL ACCESSORIES



HEAD REST 60142

ROUND LATERAL BRACE 11651

MULTI-TASK ARMBOARD 11802



A vast variety of accessories can be found in the Merivaara Accessory catalog.

Advanced construction: Motorized leg sections

Lower leg sections (require 60225 or 60425)



Upper leg sections (attach to the seat section)



Back sections



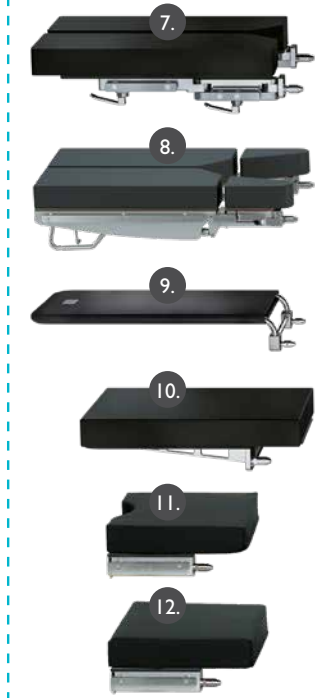
Upper back sections / adapters



Head rests



- 21. *
- 22. *
- 23.
- 24.
- 25.
- 26.
- 27.
- 28.
- 29.



DORO adapter (connects directly to the side rails)

No.	Order No.	Name	Dimensions	Weight
1.	1000 30248	Short Divided Leg Plates, gas spring assisted	540 x 680 x 260 mm	2 x 9,1 kg
2.	1000 30147	One piece leg section, gas spring assisted	540 x 650 x 260 mm	17,1 kg
3.	1000 60475	Long Divided Leg Section, gas spring assisted	540 x 880 x 260 mm	2 x 9,9 kg
4.	1000 60250	25-Section	540 x 250 x 80 mm	7,6 kg
5.	1000 60225	25 Short-section	540 x 250 x 80 mm	5,4 kg
6.	1000 60425	25 gyn section	540 x 250 x 80 mm	5,3 kg
7.	1000 145480	Short Divided Leg Section Double joint		7,5 kg
8.	1000 60484	Divided Leg Plates, 4 Sections	540 x 865 x 230 mm	25 kg
9.	1000 60201	Light foot rest 60201	500 x 900 mm	5,2 kg
10.	1000 60204	Light leg section for motorized legs 60204	540 x 630 x 80 mm	4,9 kg
11.	1000 60440	40 gyn-section	540 x 400 x 80 mm	8,9 kg
12.	1000 60240	40-section	540 x 400 x 80 mm	9,1 kg
13.		Beach chair back section	540 x 650 x 200 mm	
14.		Eye-ENT back section	540 x 630 x 200 mm	
15.		Kidney bridge	540 x 630 x 200 mm	
16.		Standard	540 x 630 x 200 mm	
17.		Short back	540 x 500 x 200 mm	
18.	1000 60142	Head rest 60142	540 x 300 x 80 mm	6,4 kg
19.	1000 60140	Head rest 60140	540 x 300 x 80 mm	6,3 kg
20.	1000 60146	Head rest adapter 60146		2,5 kg
21.	1000 30126	Beach chair head rest 30126		4,6 kg
22.	1000 30128	Beach chair helmet head rest 30128		4,3 kg
23.	1000 18150 1000 18151	Head rest for ent/ophtalmology 18150 or 18151	225 x 290 x 60 mm	2,8-3,25 kg
24.	1000 18143	ENT-surgery head rest 18143	245 x 242 x 40 mm	3,4 kg
25.	1000 00142	Narrow headrest 142	275 x 206 x 50 mm	4,1 kg
26.	1000 00141	Wide headrest 141	275 x 406 x 50 mm	4,5 kg
27.	1003 00700	DORO adapter	700 x 680 x 60 mm	4,4 kg
28.	1010 01100	DORO Aluminium Head Rest System	550 x 600 x 470 mm	5,4 kg
29.	1003 00900	DORO Horseshoe Head rest	250 x 450 x 200 mm	2,1 kg



Available with Visco-elastic foam (VEF) with premium patient comfort against decubitus ulcers.



* Recommended for Beach Chair

General construction: Non-motorized leg sections

Lower leg sections



Upper leg sections
(attach to the seat section)



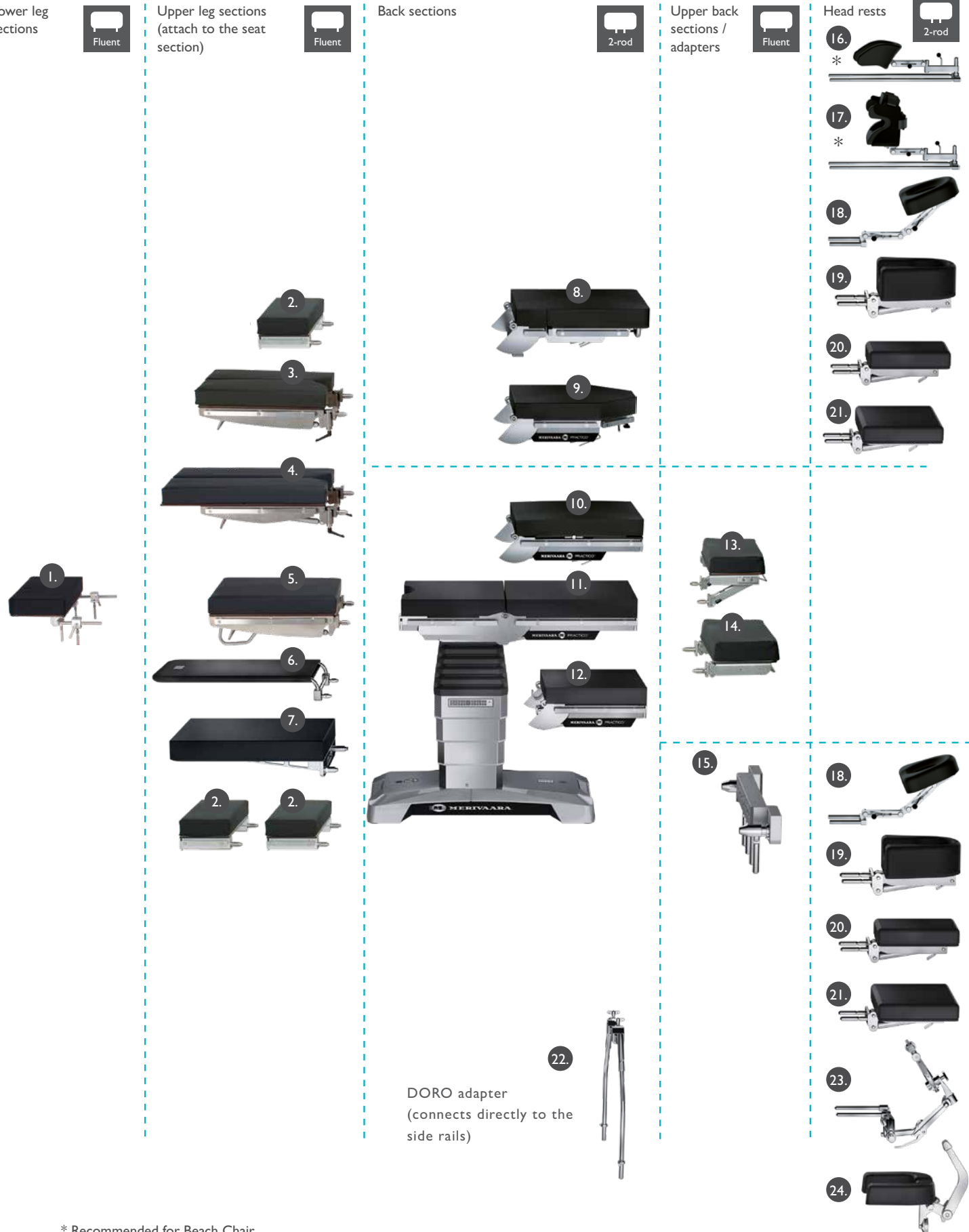
Back sections



Upper back sections / adapters



Head rests



DORO adapter
(connects directly to the side rails)

No.	Order No.	Name	Dimensions	Weight
1.	1000 20114	Foot rest / table extension 20114	700 x 170 x 455 mm	5,8 kg
2.	1000 60250	25-Section	540 x 250 x 80 mm	7,6 kg
3.	1000 30248	Short Divided Leg Plates, gas spring assisted	540 x 680 x 260 mm	2 x 9,1 kg
4.	1000 60475	Long Divided Leg Section, gas spring assisted	594 x 880 x 260 mm	
5.	1000 30147	One piece leg section, gas spring assisted	540 x 650 x 260 mm	17,1 kg
6.	1000 60201	Light foot rest 60201	500 x 900 mm	5,2 kg
7.	1000 60203	Light non-motorized leg section 60203		4,9 kg
8.		Beach chair back section	540 x 650 x 200 mm	
9.		Eye-ENT back section	540 x 630 x 200 mm	
10.		Kidney bridge	540 x 630 x 200 mm	
11.		Standard	540 x 630 x 200 mm	
12.		Short back	540 x 500 x 200 mm	
13.	1000 60142	Head rest 60142	540 x 300 x 80 mm	6,4 kg
14.	1000 60140	Head rest 60140	540 x 300 x 80 mm	6,3 kg
15.	1000 60146	Head rest adapter 60146		2,5 kg
16.	1000 30126	Beach chair head rest 30126		4,6 kg
17.	1000 30128	Beach chair helmet head rest 30128		4,3 kg
18.	1000 18150 1000 18151	Head rest for ent/ophtalmology 18150 or 18151	225 x 290 x 60 mm	2,8-3,25 kg
19.	100018143	ENT-surgery head rest 18143	245 x 242 x 40 mm	3,4 kg
20.	1000 00142	Narrow headrest 142	275 x 206 x 50 mm	4,1 kg
21.	1000 00141	Wide headrest 141	275 x 406 x 50 mm	4,5 kg
22.	1003 00700	DORO adapter	700 x 680 x 60 mm	4,4 kg
23.	1010 01100	DORO Aluminium Head Rest System	550 x 600 x 470 mm	5,4 kg
24.	1003 00900	DORO Horseshoe Head rest	250 x 450 x 200 mm	2,1 kg



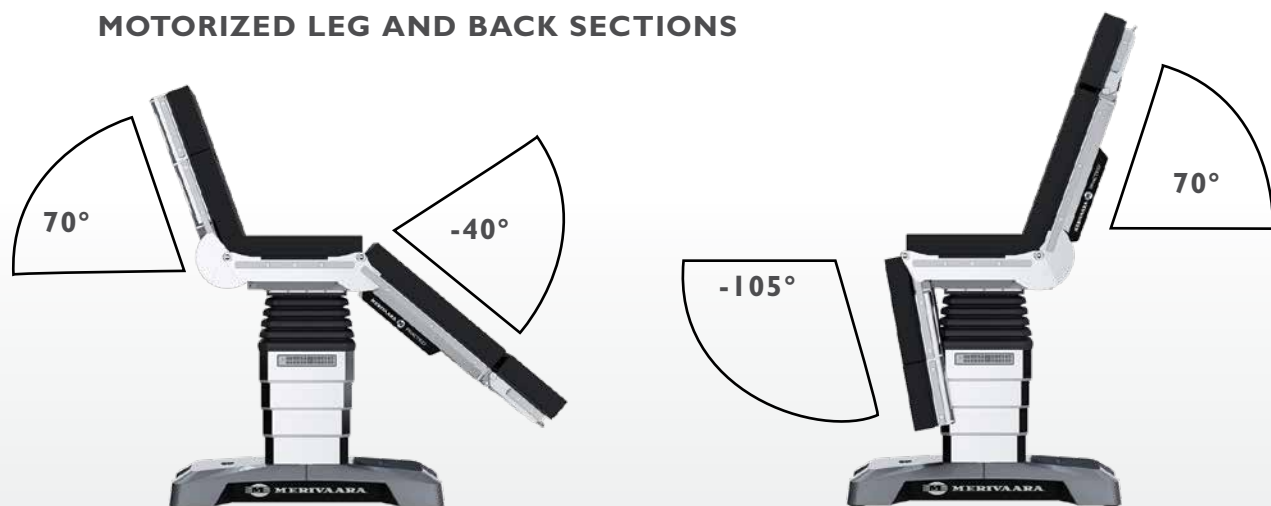
Available with Visco-elastic foam (VEF)
with premium patient comfort
against decubitus ulcers.

VEF
pad

* Recommended for Beach Chair



MOTORIZED LEG AND BACK SECTIONS



TILT ANGLE



TRENDELENBURG ANGLE



**SLIDE LEG
260 MM**



**SLIDE HEAD
130 MM**



Technical Specifications

	Slide and motorized leg sections	No Slide, motorized leg sections	Slide, No motorized leg sections	No Slide, No motorized leg sections
Trendelenburg angle (degrees)	± 30	± 30	± 30	± 30
Tilt angle (degrees)	± 20	± 20	± 20	± 20
Slide (mm/inch)	390 / 15,6"	-	390 / 15,6"	-
Back section angle (degrees)	+ 70 / - 40	+ 70 / - 40	+ 70 / - 40	+ 70 / - 40
Motorized leg sections angle (degrees)	+ 70 / - 105	+ 70 / - 105	-	-
Non-motorized leg sections angles (degrees)	-	-	+ 20 / - 90	+ 20 / - 90
Practico Max Lo height (mm/inch)	540-1030 / 21,3"-40,6"	553-1043 / 21,8"-41,1"	540-1030 / 21,3"-40,6"	-
Practico Max Hi height (mm/inch)	640-1130 / 25,2"-44,5"	653-1143 / 25,7"-45"	640-1130 / 25,2"-44,5"	-
Practico General height (mm/inch)	585-885 / 23"-34,8"	-	585-885 / 23"-34,8"	598-898 / 23,5"-35,4"
Table top width (mm/inch)	540 / 21,3"	540 / 21,3"	540 / 21,3"	540 / 21,3"
Number of table top sections	4-6	4-6	4-6	4-6
Safe working load (SWL)	280 kg / 617.3 lb	280 kg / 617.3 lb	280 kg / 617.3 lb	280 kg / 617.3 lb
Lifting capacity	460 kg / 1014.13 lbs	460 kg / 1014.13 lbs	460 kg / 1014.13 lbs	460 kg / 1014.13 lbs
Number of memory positions	1	1	1	1
Fifth wheel option	√	√	√	√
IR compatibility with Open OR	-	-	-	-
Mattress type	VEF 80 mm	VEF 80 mm	VEF 80 mm	VEF 80 mm
Electrical brakes	√	√	√	√
Battery operated (Li ion)	√	√	√	√
Standard back section compatibility	√	√	√	√
Beach chair back section compatibility	-	√	-	√
Eye-ENT back section compatibility	√	√	√	√
Kidney-bridge back section compatibility	√	√	√	√
Official product name: Practico 145000				

Manufacturer: Merivaara Corp.

√ = included

- = not available

(* MAX HIGH COLUMN (** MAX LOW COLUMN



Health Technology with a Human Touch

Made in Finland with respect
for our unique nature.



Hoyland Medical

Service and quality to the medical profession

Unit 7, 22 Palmer Place

Murarrie QLD 4172

T: 07 3390 7011

E: admin@hoylandmedical.com.au