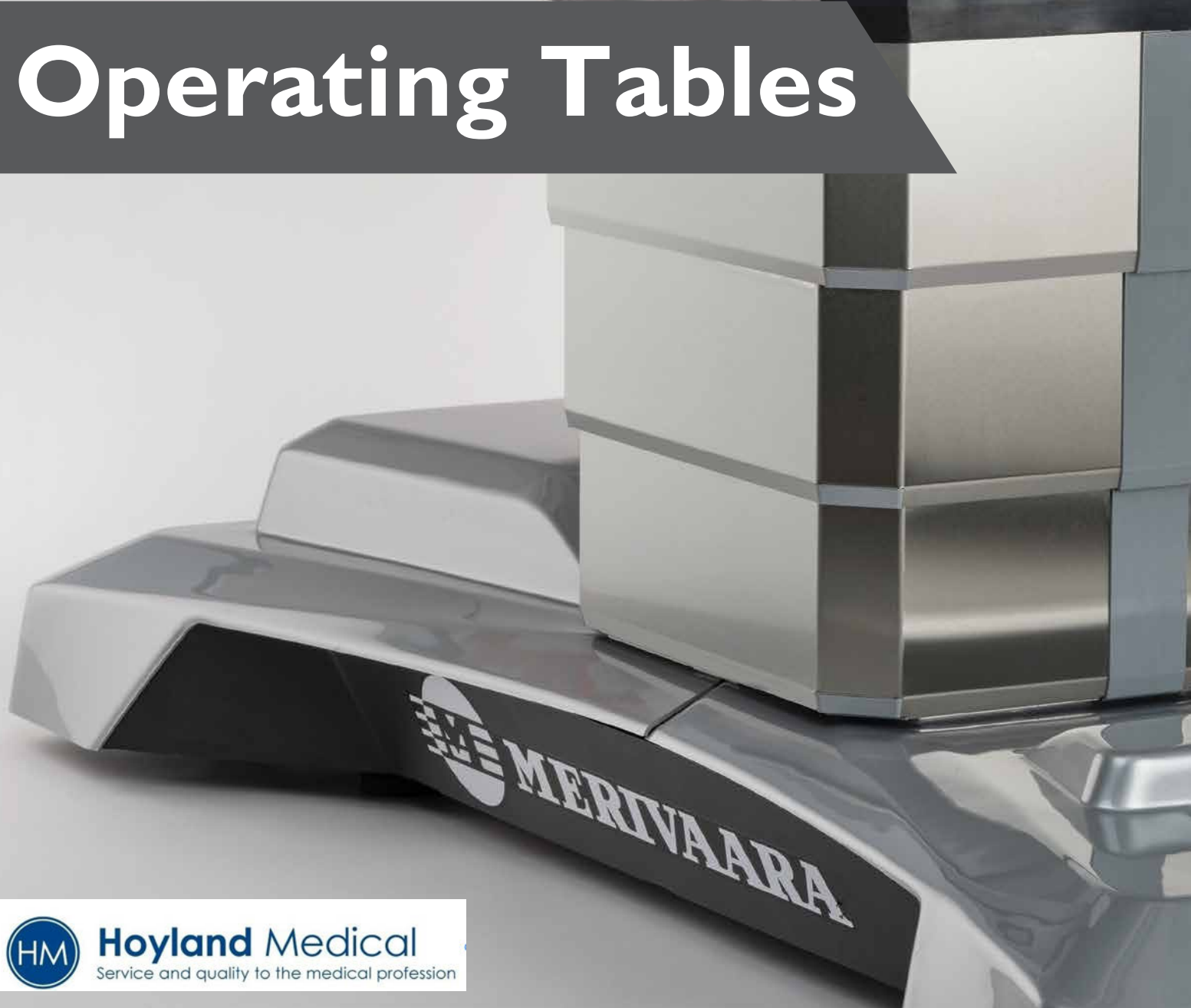




Operating Tables



Hoyland Medical

Service and quality to the medical profession

Fluent usability

Since 1901

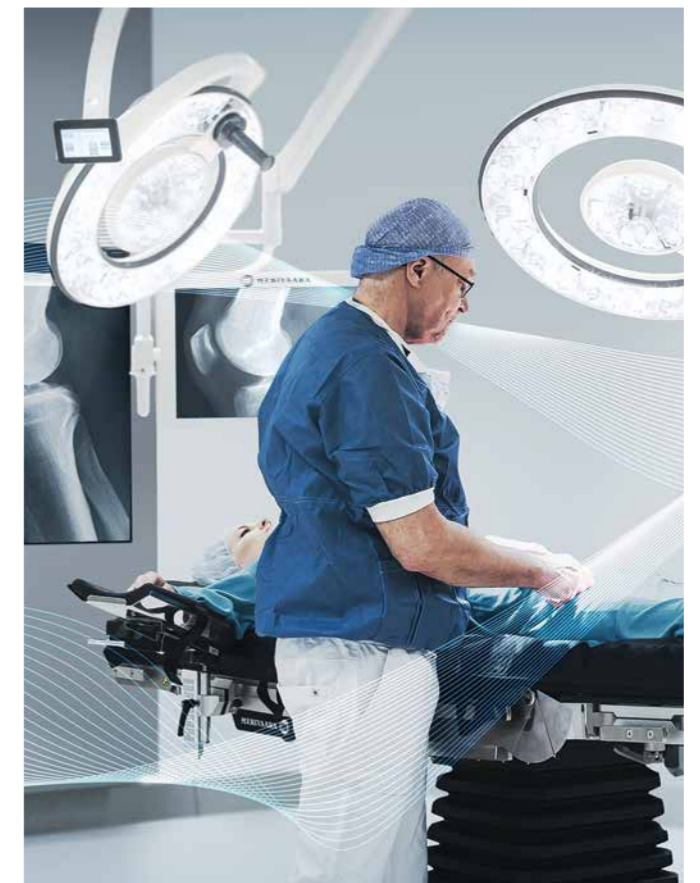
“In addition to the exquisite quality of work, we have taken the utmost interest in the functionality of the equipment. In this regard, several doctors committed to the cause have contributed their advice, based on their valuable experience.”

Juho Merivaara in 1926, founder of Merivaara



In a modern operating room from the 1950s tables and lights were manually adjusted.

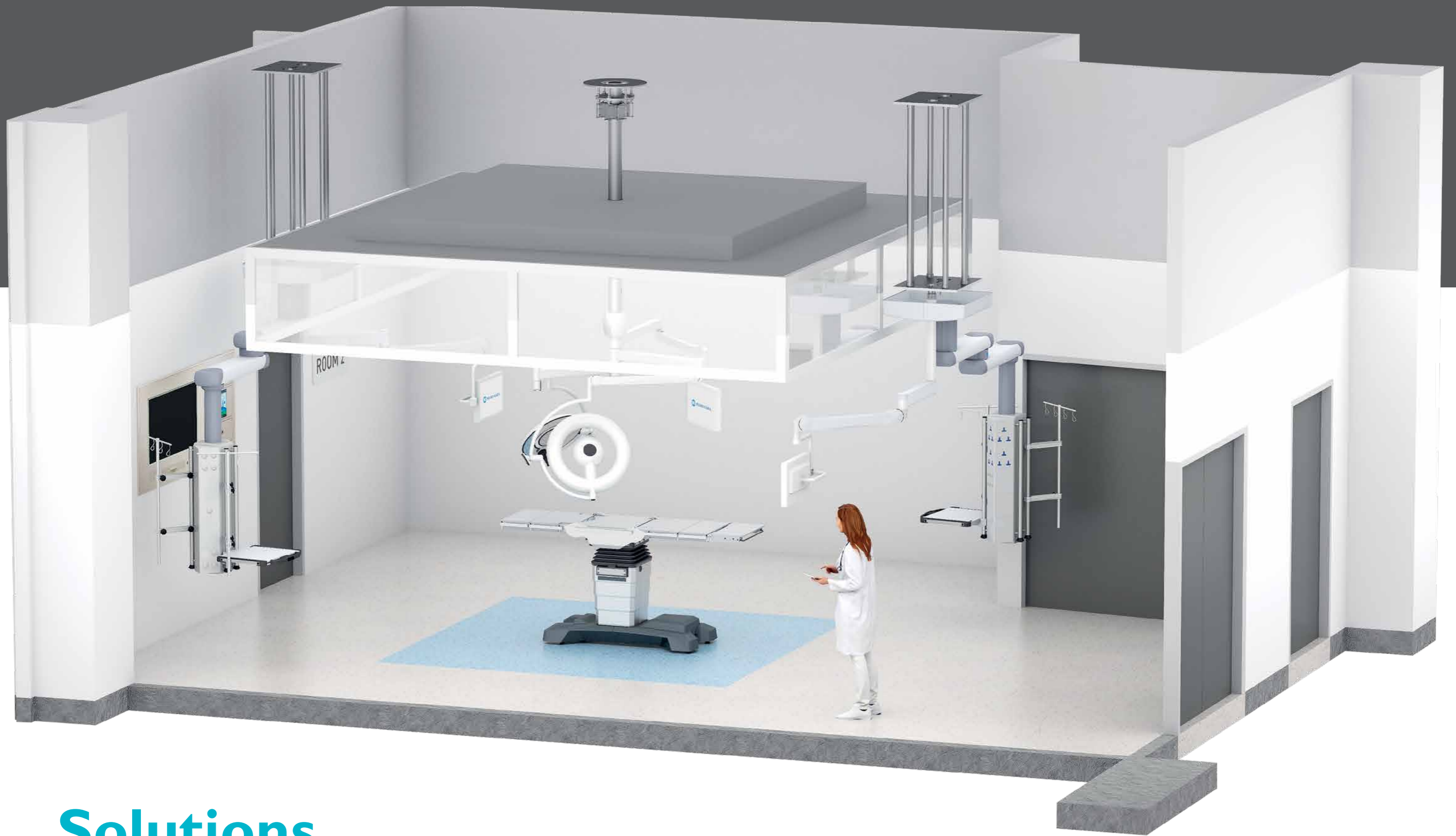
**DESIGN[®]
FROM
FINLAND**



We are proud that the company's values 120 years ago were so ahead of their time that they can still today be fully applied when designing new innovative solutions for healthcare professionals. This is demonstrated by our latest award-winning products, the Q-Flow surgical light and the Smarter Practico operating table with functionality and ease of use at the heart of the design. Our user interfaces are developed together with hospital personnel so that all our products and systems can be used intuitively.

We call this Fluent Usability; operating room teams can focus on patient care, not for the management of complex technologies. Top surgeons appreciate this all over the world.





Solutions

Merivaara Solutions offer operating rooms a wide range of high-quality products, systems and services. Our solutions not only guarantee patient safety, but also provide healthcare operators with the best value for money.

When designing our solutions around the entire surgical team, it is important for us to listen to the customer's needs. This allows us to ensure that the team can implement the procedures safely, quickly and reliably. At the same time, workflow is optimized and the productivity of the entire team will increase.

Merivaara has long experience from leading and implementing projects in operating rooms. For us, keeping projects to schedule and reducing costs is extremely important.

- SURGICAL LIGHTS • EXAMINATION LIGHTS
- OPERATING TABLES • TABLE ACCESSORIES
- INTEGRATION SYSTEMS • MONITORS & MONITOR ARMS
- PENDANTS • PROJECTS • MERIVAARA SERVICES

Rapido

Versatile and functional



Highlights

Wide table top with 80 mm antistatic and hygienic visco elastic memory foam, mattress that conforms to the patient's body.

Height settings hydraulic and gas spring aided adjustments.

X-Ray cassette rails, good imaging access.

Trendelenburg and reverse Trendelenburg adjustment handles.

Height adjustment pedals are easy to access.

Allows easy access to the patient, thus providing ergonomic working positions for the surgery team. Provides adequate legroom and a good working area for the surgical team.

The lower base is housed inside within a hygienic, easy to clean casing.

Smooth and silent height adjustment allows for optimal positioning helping patients with limited mobility to easily get on and off the table.

Fluent movement thanks to larger antistatic twin castors that glide smoothly on a variety of floor surfaces, central locking.

Benefits of the Rapido



1. FLUENT ACCESSIBILITY

- The unique table design allows for closer access to the operating field.

2. PATIENT SAFETY

- Patient safety rails during transport

3. EASY TO USE

- Fluent manoeuvrability
- Easy configuration
- Light weight sections
- Small base footprint allows for effective space saving

4. ECONOMIC EFFICIENCY

- Budget friendly
- Reduces purchasing costs



RAPIDO STANDARD

Rapido is the ideal operating surgical table/trolley for the busy day surgery unit. It is lightweight and easy to use and easy to clean. The Rapido reduces manual handling and improves efficiency in the operating room and ward. The open design ensures optimum surgical access and easy use of x-ray and other imaging equipment.

A comprehensive range of accessories are available to enable you to undertake a wide range of day surgery and minor surgical procedures. C-arm access is quick and easy with the Rapido making it ideal for use by the Endoscopy department.



RAPIDO FOR UPPER BODY PROCEDURES

Rapido Upper Body operating surgical table/trolley is designed for various upper body surgical procedures. This model has improved access to the patient's upper body, optimizing space for the surgeon's legs and feet.

Rapido Upper Body is especially designed for various types of surgeries, for example Thoracic, ENT, Gynecology, Urology and hand & arm procedures. Adjustments of the table that the surgeon needs during the upper body operations are conveniently controlled from the head end of the table.



Day Surgery Process with Rapido

A wide range of surgical procedures are now undertaken in Day Surgery. Fast and efficient Day Surgery eliminates the need for patients to stay in the hospital overnight greatly reducing operating costs. The Rapido is a patient trolley, operating table and recovery bed all in one unit. It reduces capital equipment and maintenance costs or the need for ward beds, saving valuable space in the pre-op and recovery wards.

PRE-OPERATIVE TREATMENT

- Allows for a more relaxed pre-op patient-surgeon consultation
- Patient is prepared for surgery without the need to be transferred to a surgical table



SURGICAL PROCEDURES

- Mobile Rapido table is easy to position in the operating room
- Fluent manoeuvrability
- Rapido is compatible with most side rail mounted accessories.
- The modular head rest can easily be removed to allow the anesthesia access to the patient's head during gynecological and urological procedures

POST-OPERATIVE CARE

- Patient can be transported directly to the post-op ward without the need for transfer to a bed
- Rapido is compact in size – more trolleys fit in the recovery room than beds
- Allows the patient on the Rapido to recover before being transported to the hospital ward

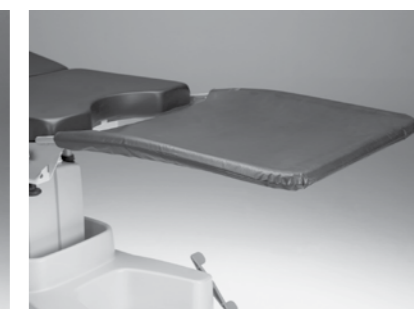
Special accessories



Divided leg section 1000 18261



Gyn/Uro extension 1000 18153



Light foot rest 1000 18001



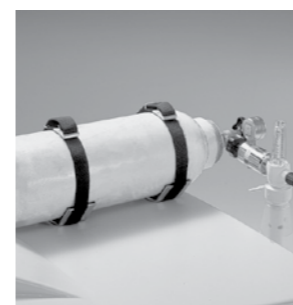
X-ray cassette tray 1000 18126



Bowl (6 L) with drainage 100 201572
without drainage 100 201571



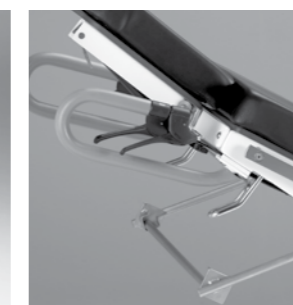
Wire utility basket for utilities 1000 18183



Oxygen bottle holder 5 L 1000 18189



Push bars to foot end 18168



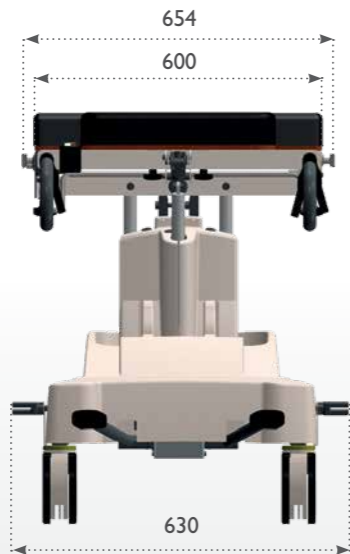
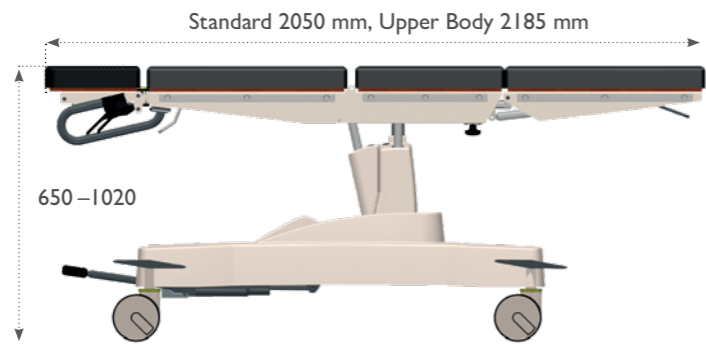
Paper roll holder for Rapido 18572



Infusion rod 749, order no 1000 00749
Storage holder for infusion rod order no 1000 18578



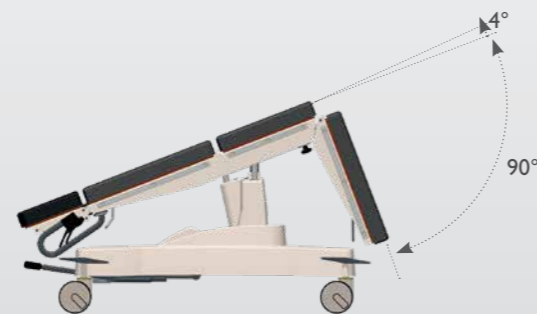
A vast variety of accessories can be found in the Merivaara Accessory catalog.



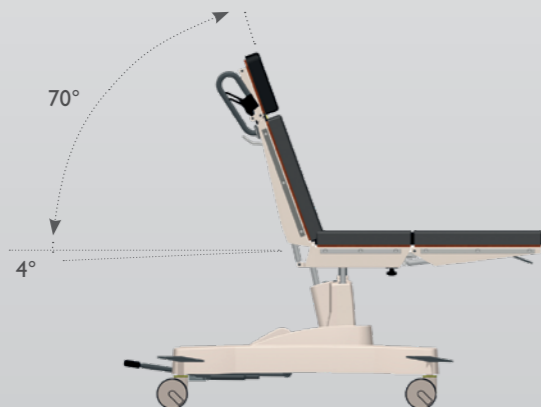
TRENDELENBURG / REVERSE TRENDELENBURG



LEG SECTION ADJUSTMENTS



GAS-SPRING ASSISTED BACK SECTION ADJUSTMENT



Technical Specifications

	Standard	Upper Body
Length	2050 mm	2185 mm
Mattress width	600 mm	600 mm
Total width	654 mm	654 mm
Weight	125 kg	125 kg
Safe working load (SWL)	160 kg	160 kg
Height, hydraulically with foot pedals	650-1020 mm	650-1020 mm
Trendelenburg, gas spring-assisted	-25°	-25°
Reverse Trendelenburg, gas spring-assisted	+18°	+18°
Lateral tilt, gas spring-assisted	± 15°	-
Back section adjustment, gas spring-assisted	- 4°...+70°	- 4°...+70°
Leg section adjustment, gas spring-assisted	- 90°...+4°	- 50°...+4°
Head rest	- 40°...+25°	- 40°...+25°
Castors size	Ø 150 mm	Ø 150 mm
Antistatic castors: washable, swivelling twin-castors, central locking device pedal	✓	✓
Number of table top sections	4 sections/5 sections (divided foot section)	4 sections (one-piece leg section)
Fixed back and seat sections	✓	✓
Leg and head sections detachable	✓	✓
Top plate of X-ray translucent high pressure laminate	✓	✓
X-ray cassette rails along the full length of the surgical surface	✓	✓
Accessory rails of stainless steel	✓	✓
Casings of shock-resistant ABS plastic	✓	✓
Mattress type	Antistatic and hygienic visco elastic memory foam 80 mm	Antistatic and hygienic visco elastic memory foam 80 mm
Warranty	2 years	2 years
Official product name:	Rapido	Rapido Upper Body

Manufacturer: Merivaara Corp.



Health Technology with a Human Touch

Made in Finland with respect
for our unique nature.



Hoyland Medical

Service and quality to the medical profession

Unit 7, 22 Palmer Place
Murarrie QLD 4172

T: 07 3390 7011

E: admin@hoylandmedical.com.au